



From the Parliamentary
Under Secretary of State

To the Council Leaders of all
English Traffic Authorities

cc: Relevant Local Authority
Chief Executives

Department for **Transport**

Great Minster House
76 Marsham Street
London SW1P 4DR

Tel: 020 7944 2566
Fax: 020 7944 4309
E-Mail: norman.baker@dft.gov.uk

Web site: www.dft.gov.uk

Our Ref: NB/003120/11
Your Ref: MM7155

21 February 2011

Dear Leader

Tackling Pavement Parking Problems

I am writing to draw your attention to powers available to you to tackle pavement parking, and to advise you of further steps the Government are taking which may help you in this regard.

Parking on the pavement can cause serious problems for pedestrians, particularly people in wheelchairs or with visual impairments and those with prams or pushchairs. Indiscriminate pavement parking may also damage the footway, with the burden of repair costs normally falling on local authority maintenance budgets.

I know from my own experience that pavement parking can be a widespread problem that some local authorities have found difficult to address. I also appreciate that in some streets pavement parking may in practice be inevitable to maintain free passage of traffic whilst meeting the needs of local residents and businesses. For that reason, we are not proposing a blanket ban on pavement parking (although such a ban does in fact apply in London) but would encourage you to consider using the options available in a way that meets local needs.

It is now easier for you to implement and sign local bans for all vehicles

Your traffic and parking teams are able to introduce local pavement parking bans, through a traffic regulation order (TRO), on a particular length of road or over a wider area. You will need to indicate the restrictions with the appropriate signs and we have designed new signs for area-wide bans. I am

today issuing every English traffic authority with the special authorisation necessary to use these signs. Your authority's authorisation is attached with this letter.

Heavy Goods Vehicles

Section 19 of the Road Traffic Act 1988 prohibits heavy goods vehicles from parking on the pavement. This is a national ban and does not require a TRO or any signs. Therefore, if your authority has civil parking enforcement powers, you can already enforce against HGV pavement parking throughout your enforcement area.

Other ways to tackle the problem

Other options include the use of physical measures such as high kerbs or bollards to prevent vehicles mounting the pavement. Such measures have the advantage that they are very largely self-enforcing.

If you want to find out more

The Department provides detailed advice on the management of pavement parking at:

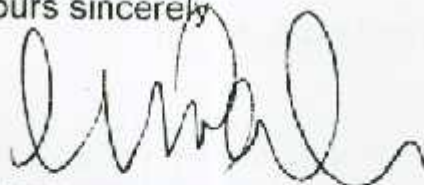
<http://www.dft.gov.uk/pgr/roads/tpm/tmaportal/tmafeatures/tmapart6/pavementparkingmanagementres1744/>

Future Proposals through our Review of Traffic Signs Policy

Finally I would like to tell you about our traffic signs review. I have specifically asked for this work to consider further options for making it easier for local authorities to manage pavement parking in future. We aim to remove regulatory burdens and unnecessary bureaucratic procedures. Where appropriate, this could mean removing the need for a TRO altogether, so as to effectively provide restrictions and prohibitions through traffic signs alone. I will make further announcements following the completion of the review in May this year.

I would be grateful for your help in tackling inconsiderate parking.

Yours sincerely



NORMAN BAKER

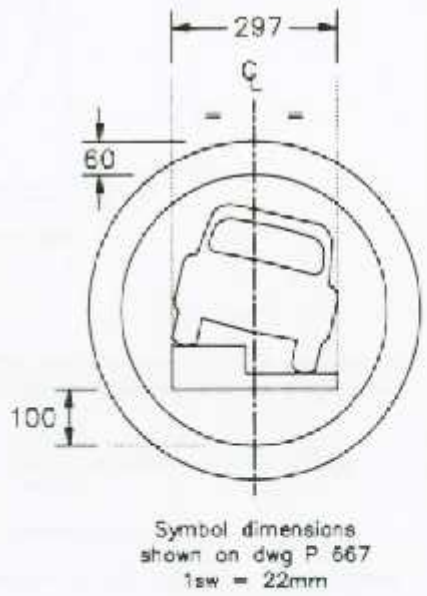
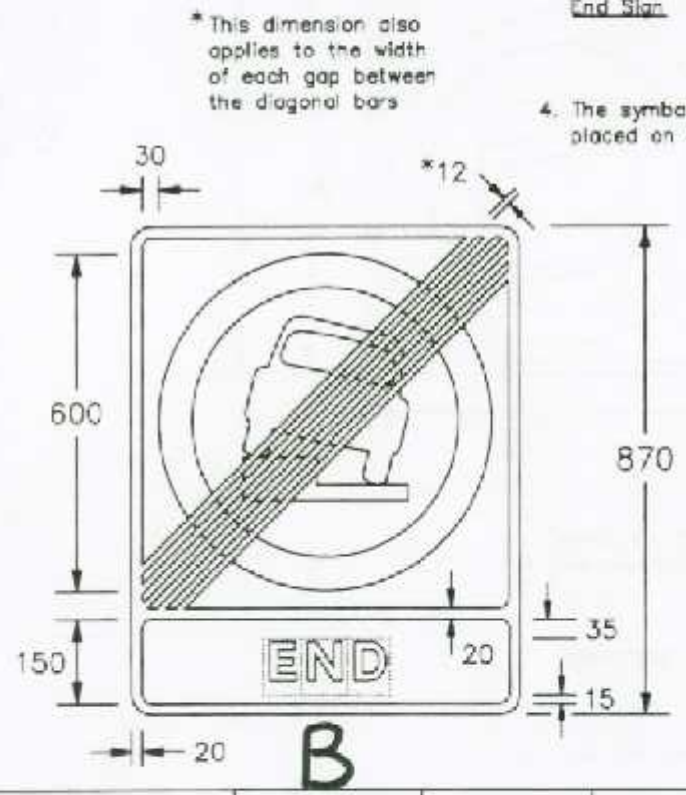
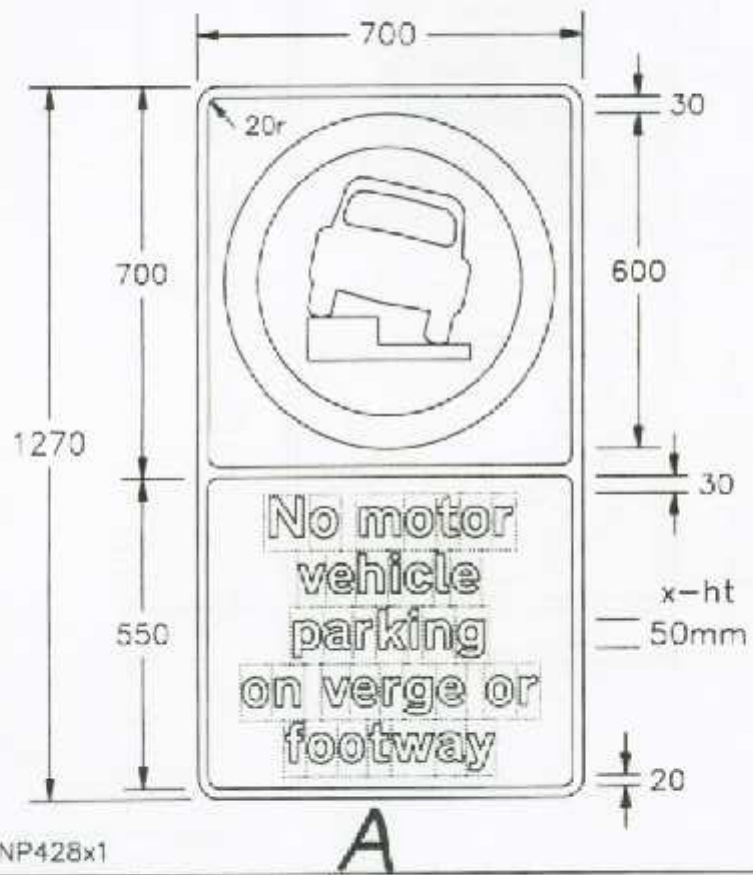
Drawing No.
NP 428.1
 Sheet 1 of 2

Related Drawing
P 667

Before using this drawing, confirm that it has not been superseded.

© CROWN COPYRIGHT

- NOTES: 1. The legend is from the Transport Heavy alphabet at the x-height shown.
2. The tile outlines do not form part of the signs.
3. COLOURS : Backgrounds ----- WHITE
 Start Sign Legend, Border & Symbol ---- BLACK
 Roundel ----- RED
- End Sign Legend, Border & Cancellation Bars ---- BLACK
 Roundel & Symbol --- GREY
4. The symbol shall be reversed when the signs are placed on the right hand side of the carriageway.



Symbol dimensions shown on dwg P 667
 1sw = 22mm

NP428x1

A

B

Department for Transport	Title: Regulatory Signs	Issue: A: 16.6.05	Date: A.K	Drawn by: A.K	Dimensions: MILLIMETRES	Drawing No. NP 428.1
	START AND END OF FOOTWAY PARKING PROHIBITION	B: 18.2.11	Approved by: J.B.			Sheet 1 of 2
		C:				

Drawing No.

NP 428.1

Sheet 2 of 2

Related Drawing

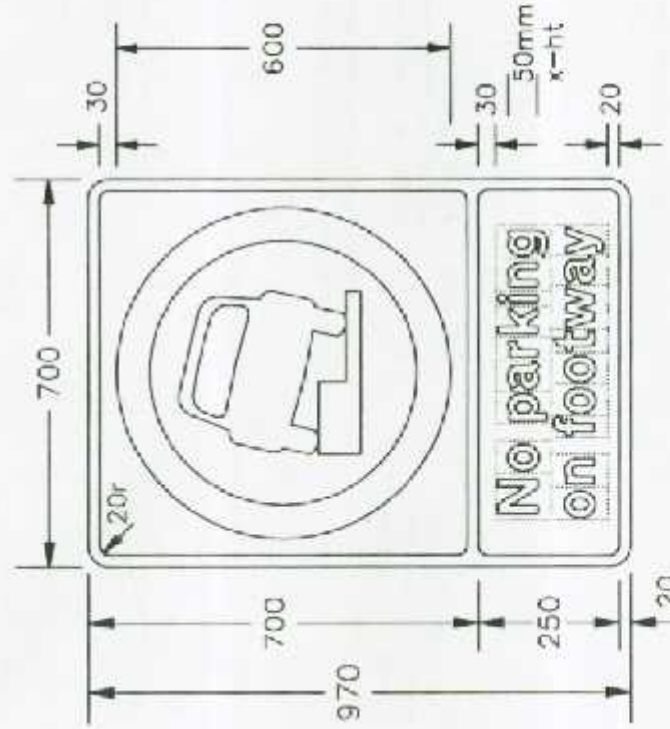
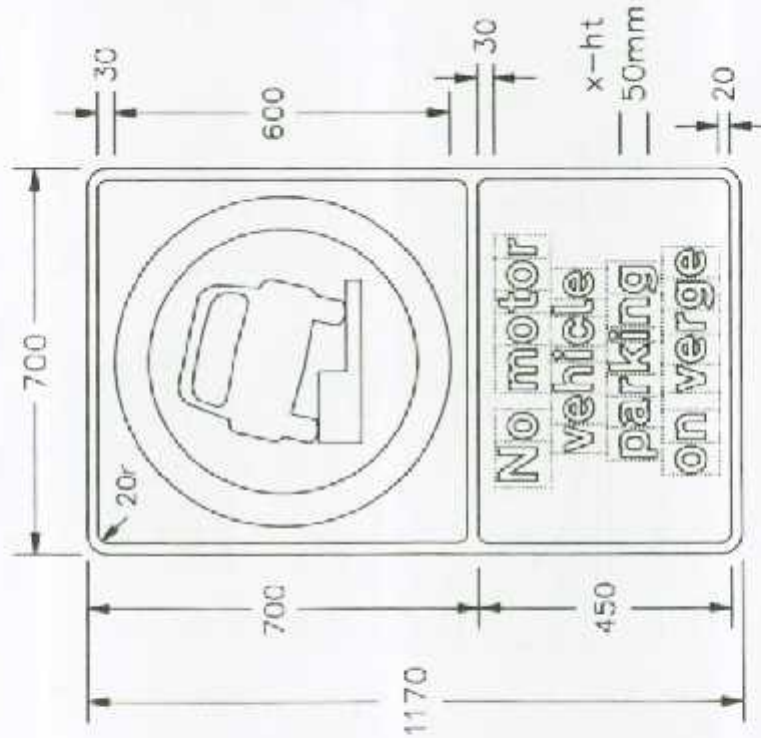
P 667

Before using this drawing, confirm that it has not been superseded.

© CROWN COPYRIGHT

- NOTES: 1. The legend is from the Transport Heavy alphabet.
2. The title outlines do not form part of the signs
3. COLOURS : Backgrounds ----- WHITE
Start Sign Legend,
Border & Symbol ----- BLACK
Roundel ----- RED

4. The symbol shall be reversed when the signs are placed on the right hand side of the carriageway.



NP428x2

Department for
Transport

Title: Regulatory Signs
START AND END OF
FOOTWAY PARKING PROHIBITION

Issue: Date:
A: 16.6.05
B: 18.2.11
C:

Drawn by:
A.K.
Approved by:
J.B.

Dimensions:
MILLIMETRES

Drawing No.

NP 428.1

Sheet 2 of 2

Drawing No.

NP 428.2

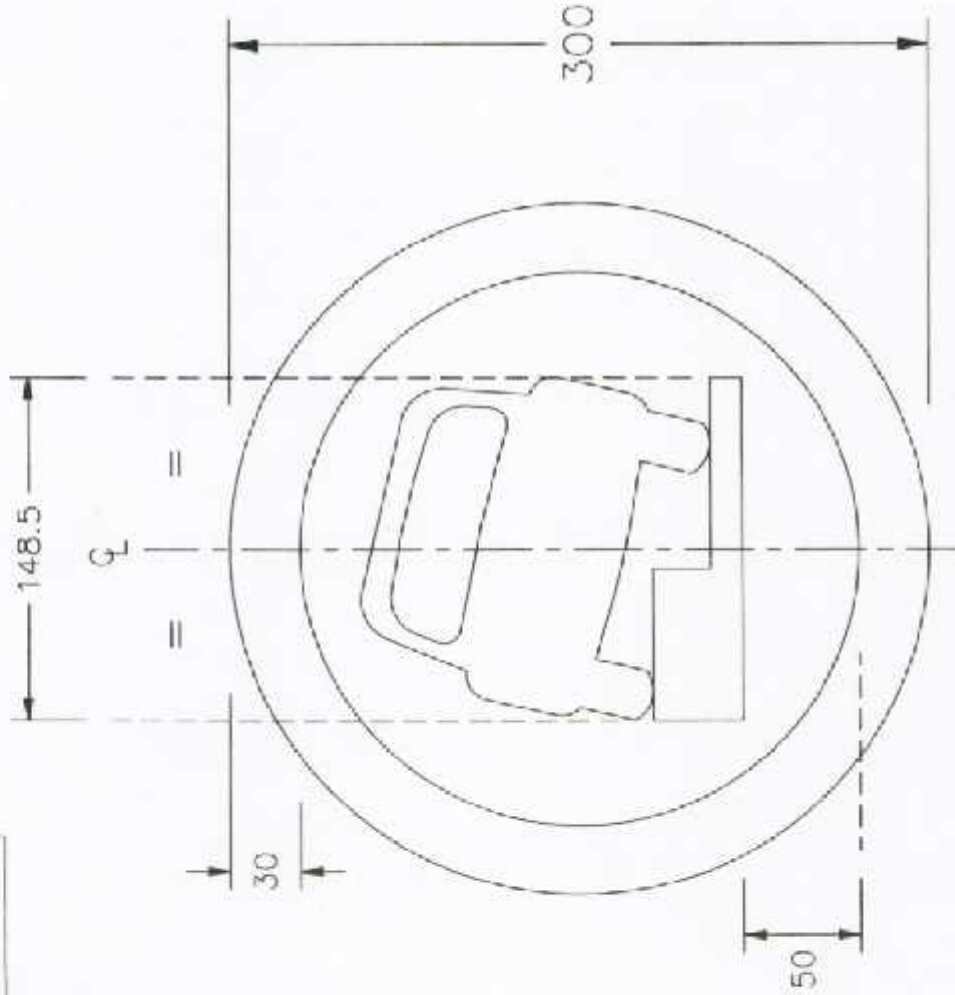
Related Drawing

P 667

© CROWN COPYRIGHT

NOTES: 1. COLOURS : Background ----- WHITE
Symbol ----- BLACK
Border ----- RED

2. The symbol shall be reversed when the signs are placed on the right hand side of the carriageway.



Symbol dimensions
shown on dwg P 667
1sw = 11mm

Before using this drawing, confirm that it has not been superseded.

NP428x2

Department for
Transport

Title: Regulatory Sign
FOOTWAY PARKING PROHIBITION
REPEATER SIGN

Issue: Date:
A: 5.7.05
B:
C:

Drawn by: R.M.
Approved by: R.M.

Dimensions: MILLIMETRES

Drawing No.

NP 428.2



**ROAD TRAFFIC REGULATION ACT 1984 – SECTIONS 64 AND 65
AUTHORISATION OF TRAFFIC SIGNS AND SPECIAL DIRECTIONS**

The Secretary of State for Transport, in exercise of his powers under Sections 64 and 65 of the Road Traffic Regulation Act 1984, and of all other powers enabling him in that behalf, for the purpose of informing road users of verge and footway parking prohibitions on roads for which Calderdale Metropolitan Borough Council is the highway authority, hereby:-

1. authorises the erection at appropriate sites on the said roads of a traffic sign (hereinafter referred to as "the authorised sign A") conforming as to size, colour and character with that shown at "A" on the attached drawing numbered NP 428.1; save that the words "motor vehicle" may be omitted, and the words "verge or", or "or footway" may be omitted; and
2. authorises the erection at the said sites of a traffic sign (hereinafter referred to as "the authorised sign B") conforming as to size, colour and character with that shown at "B" on the said drawing; and
3. authorises the erection at the said sites of a traffic sign (hereinafter referred to as "the authorised sign C") conforming as to size, colour and character with that shown on the attached drawing numbered NP 428.2; and
4. directs that it is a condition of this authorisation that the authorised sign A, the authorised sign B and the authorised sign C may be placed only to indicate the effect of a corresponding Traffic Regulation Order; and



GT50/019/0002

5. directs, without prejudice to any statutory provision to the like effect, that it is a condition of this authorisation that the erection at the said sites of the authorised sign A, the authorised sign B, and the authorised sign C shall continue to have effect only until such day as may be appointed by one month's notice given by the Secretary of State in writing to the traffic authority for the removal or alteration of the authorised sign A, the authorised sign B and the authorised sign C and on that day the said authorisation shall, without prejudice to the giving of any further authorisation or direction, cease to have effect.

The provisions of Regulation 12, 18 and 19 of the Traffic Signs Regulations 2002 (Part I of SI 2002/3113, "the 2002 Regulations") shall apply to the authorised sign A in the same manner as they apply to the sign shown in diagram 663 in Schedule 2 to those Regulations.

The provisions of Regulation 12, 18 and 19 of the 2002 Regulations shall apply to the authorised sign B in the same manner as they apply to the sign shown in diagram 664 in Schedule 2 to those Regulations.

The provisions of Regulation 12, 18 and 19 of the 2002 Regulations shall apply to the authorised sign C in the same manner as they apply to the sign shown in diagram 668 in Schedule 2 to those Regulations.

This authorisation is issued in addition to any previous authorisation sent to this highway authority in respect of verge and footway parking prohibition.

Dated...18...February.....2011
Signed by authority of the Secretary of State

.....*A. S. Hanson*.....
A Grade 7 Official of the Department for Transport

